

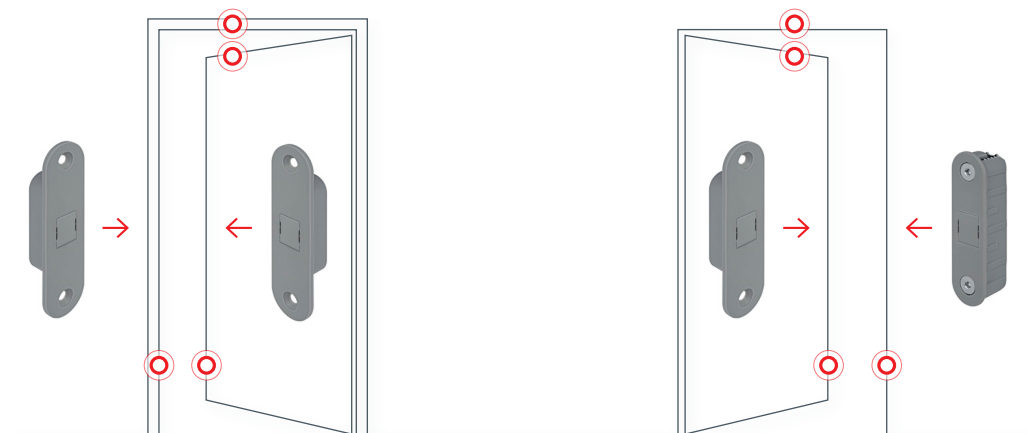
TOUCH

fixed magnets kit

Easy-Touch and Alu-Touch

Easy-Touch for wooden doors and **Alu-Touch** for concealed doors with ali-frames. The fixed magnets can be installed in different positions and not only close to the standard handle height: eg. hidden in the transom or installing more couples of magnets, if needed.



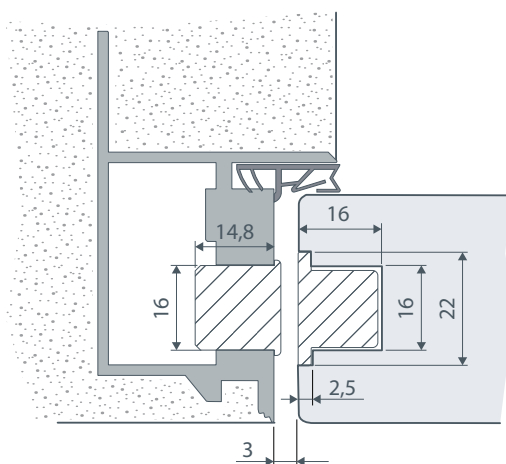
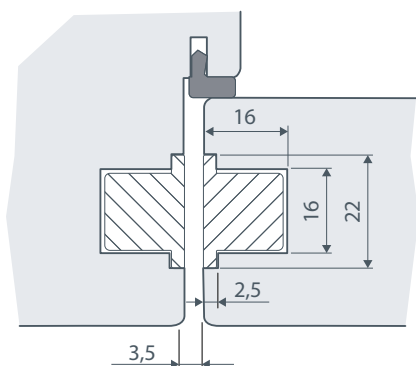


Easy-Touch kit

fixed magnets for wooden doors

Alu-Touch kit

fixed magnets for concealed doors
with alu-frames



Functionalities

Fixed magnets can be installed in a central position replacing the lock or in a concealed points. As the catching force is affected by the gap between sash and frame, two couples of magnets can be installed.

Easy installation

The magnet to be installed in the frame can be easily identified by the red cover on the back side.