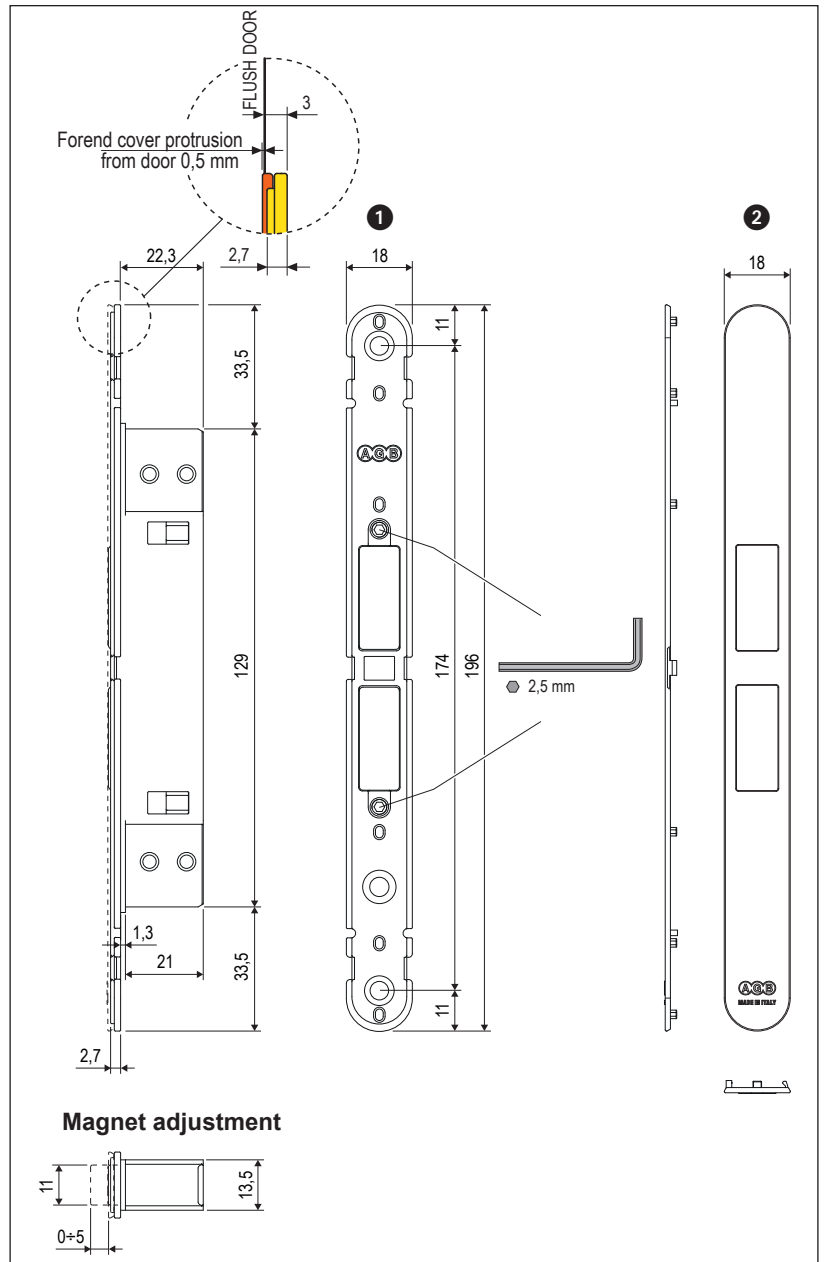


# Touch - Adjustable magnetic door catcher



### Description

Patented contactless door catcher, to be coupled with a frame magnetic counterplate; the power of the catching movement is adjustable and it is guaranteed independently from the gap between sash and frame. Touch is provided with a forend to cover the fastening screws.

### Use

For applications where it is required/enough a door catcher which is different from the traditional latch-counterplate system, without the need of a traditional handle, feeling free to choose your handle (for example external pull handles or embedded handles).

Touch can be installed into the milling of the Polaris 2XT and Mediana Evolution (18x196 mm forend) ranges.

### Adjustment

The strength of the catching movement is variable from 20 N to 50 N, according to the adjustment and the gap between sash and frame: turning the front grubs, the stroke of sliding magnetic components will be higher (up to 5 mm) and the force of attraction between sash and frame, too. For this reason, it is possible to guarantee the desired catching force even with variable gap.

It is suggested to adjust Touch in order to avoid contact between the sliding components and the frame part.

### Fastening

With 2 screws 3,5x20 mm.

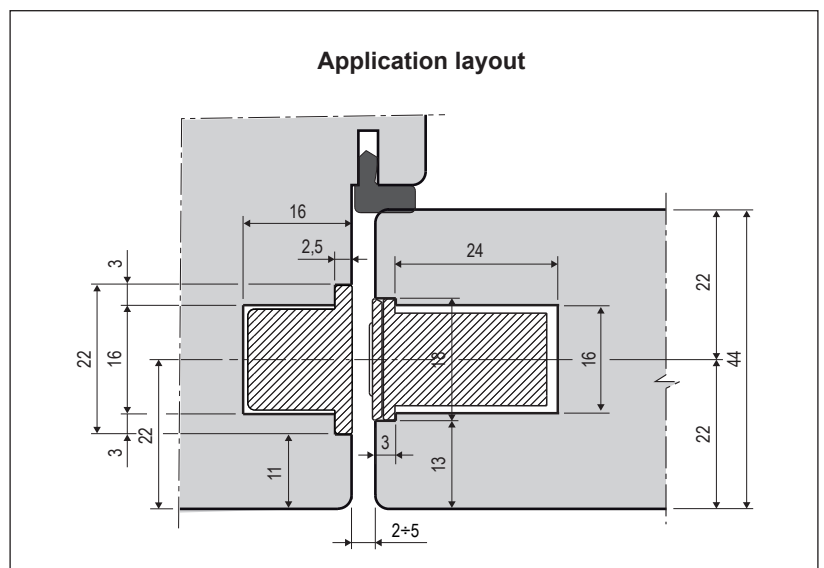
### Order Specifications - 1 Lock

Article	
B01120.30.XX	

### Order Specifications - 2 Forend

Material	Article
PLASTIC	B01120.31.XX

**Note.** Refer to the price list in force to check the availability of the finishes.



# Easy-Touch - Striker for wooden frame



**Description**

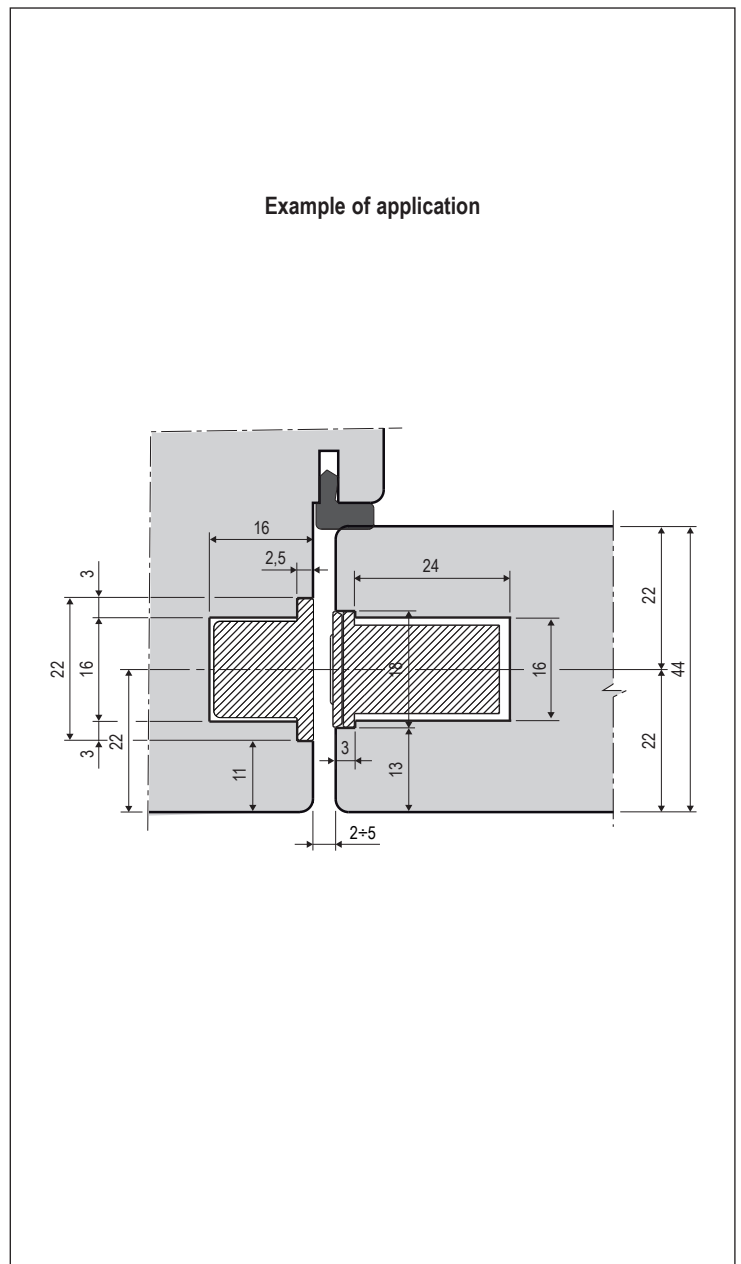
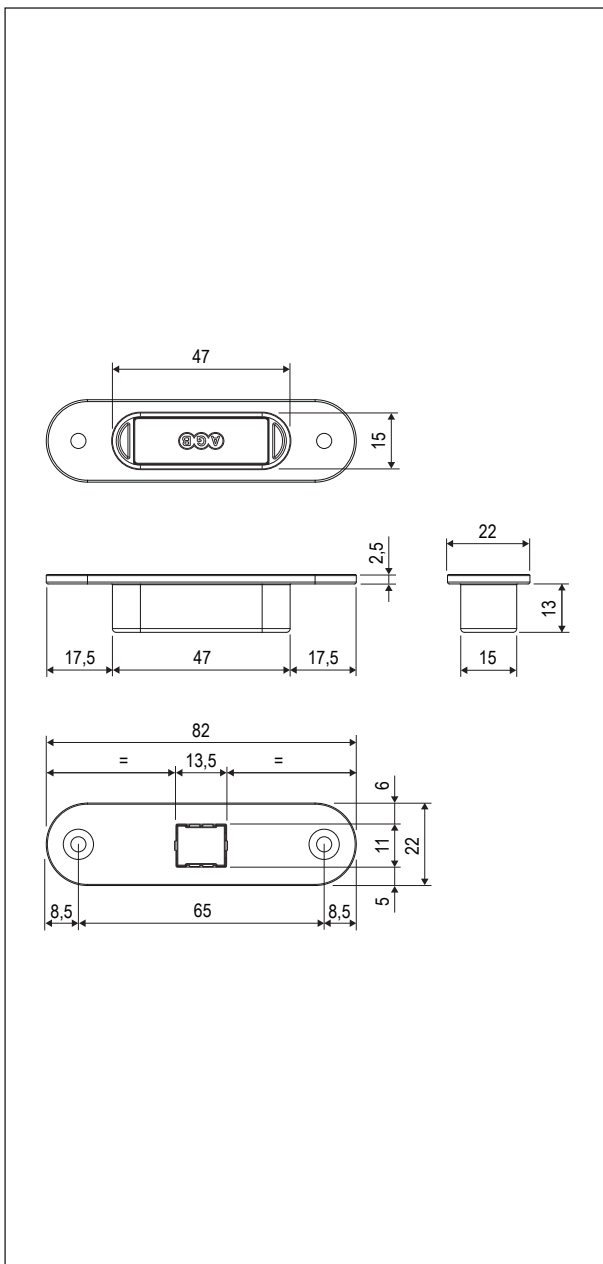
Magnetic striker in plastic material with round edges.  
Easy-Touch is compatible with the milling of Easy-Matic and Easy-Fix 22x82 mm, 2,2 mm thickness.

**Use**

To be coupled with Touch installing it on the frame as indicated in the picture.

**Fastening**

With 2 screws 3,5x20 mm.

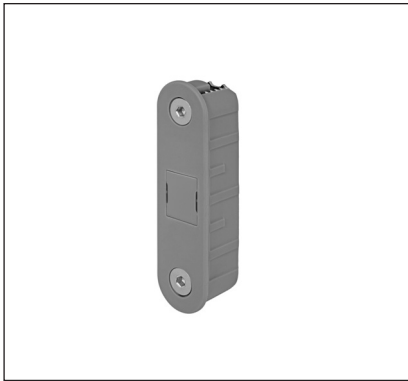


**Order Specifications**

Article	
B02404.31.XX	

**Note.** Refer to the price list in force to check the availability of the finishes.

# Alu-Touch - Striker for aluminium frame



**Description**

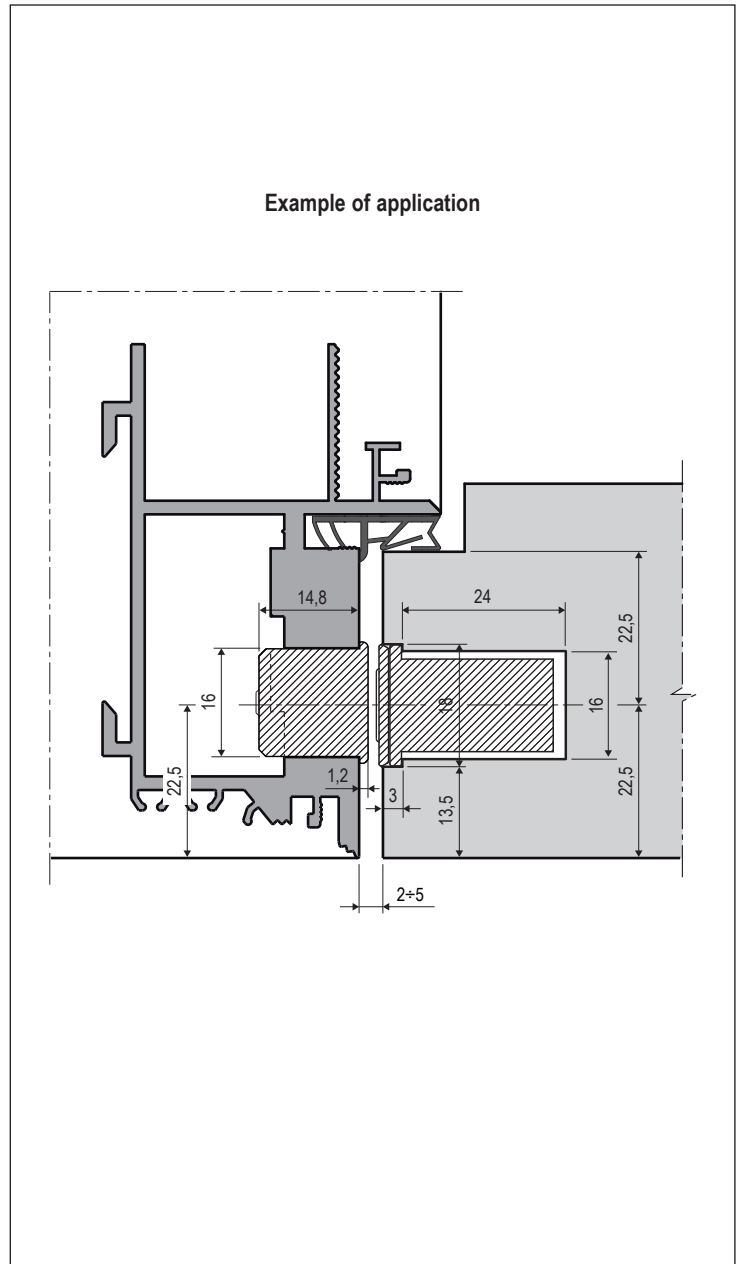
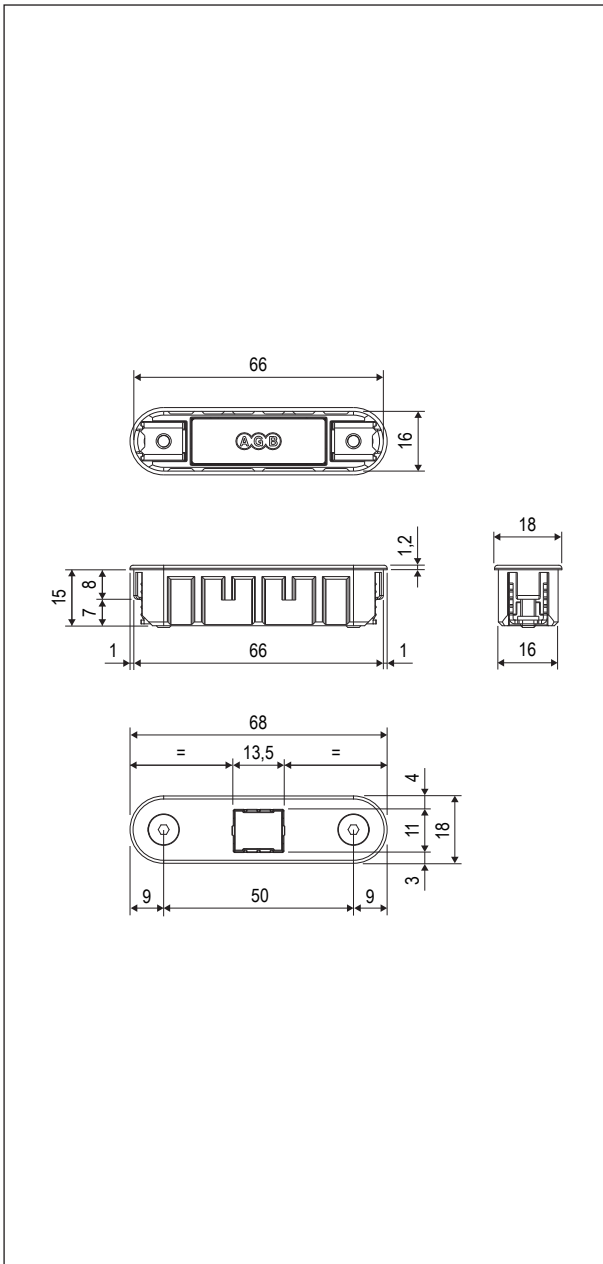
Magnetic striker in plastic material with round edges and patented fastening system. Alu-Touch is compatible with the milling of the Alutop XT striker.

**Use**

To be coupled with Touch installing it on the frame as indicated in the picture.

**Fastening**

Expansion fastening by using the 2,5 mm allen key.



**Order Specifications**

Article	
B02404.30.XX	

**Note.** Refer to the price list in force to check the availability of the finishes.

# Kit Easy-Touch - fixed magnets wood-wood



**Description**

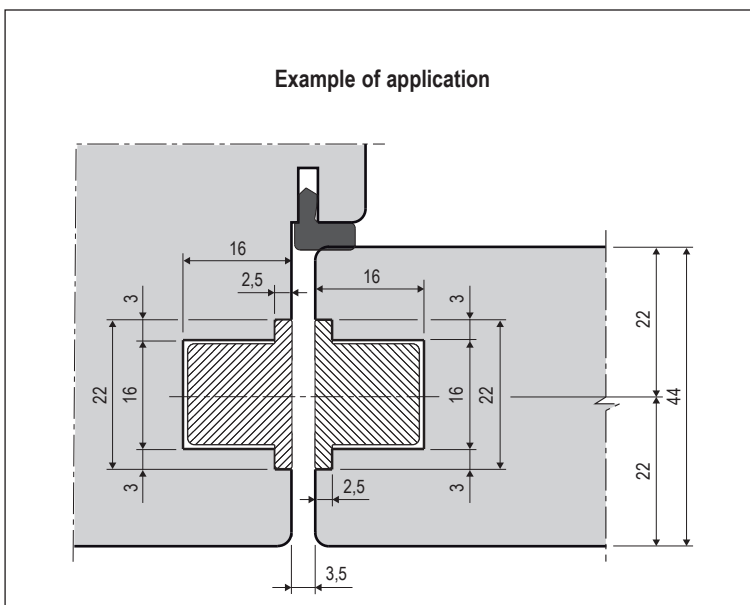
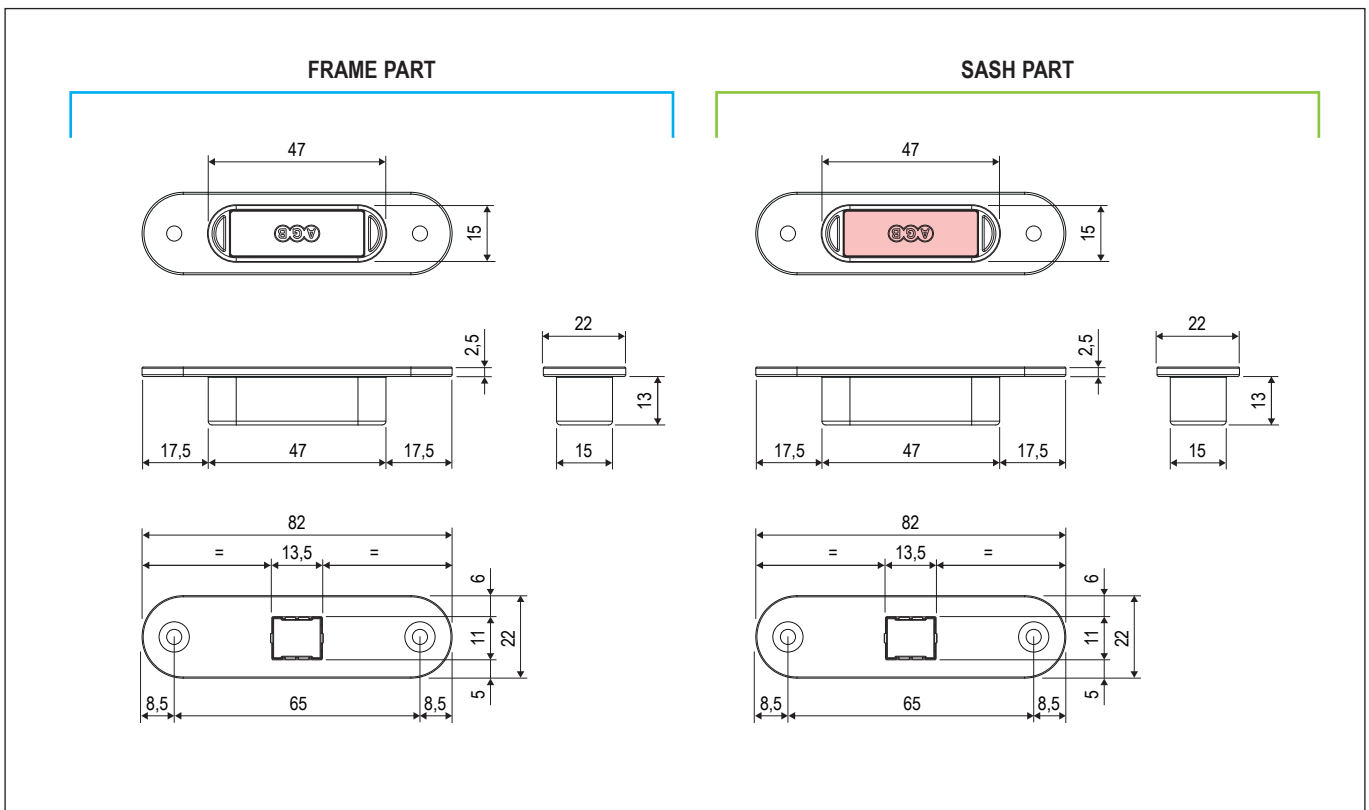
Kit with two Easy-Touch strikers in plastic material with round edges, one of them has a red cover to identify the reverse polarity. Easy-Touch is completely interchangeable with Easy-Matic and Easy-Fix strikers with 22 mm width and 2,2, mm thickness.

**Use**

To be used with fixed magnets. In this case, they can be installed in different positions and hidden. If necessary, they can be installed in more magnet couples.

**Fastening**

Striker fastening with two screws 3,5x20 mm.

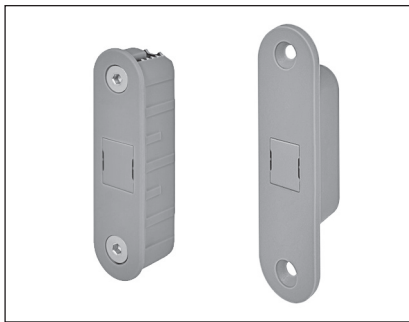


**Order Specifications**

Article
B02404.36.XX

*Note. Refer to the price list in force to check the availability of the finishes.*

# Kit Alu-Touch - aluminium-wood fixed magnets



**Description**

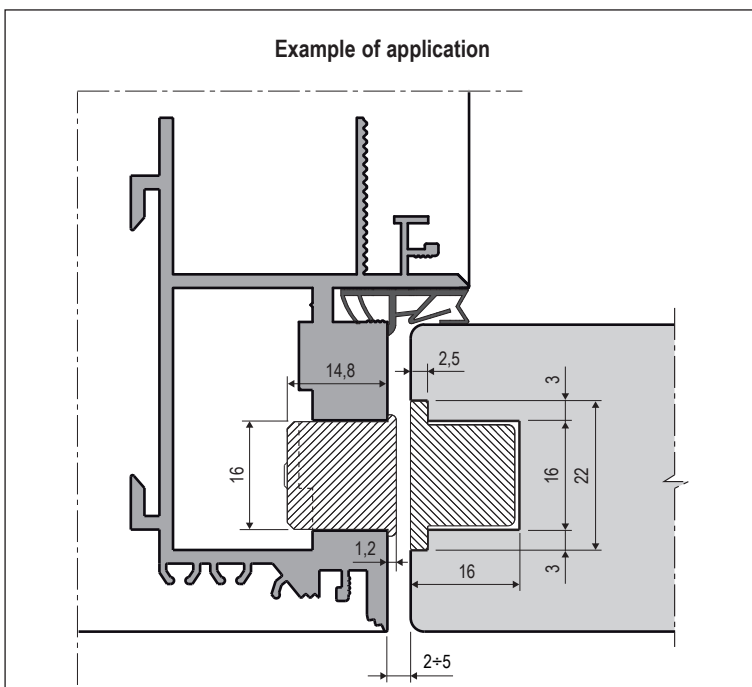
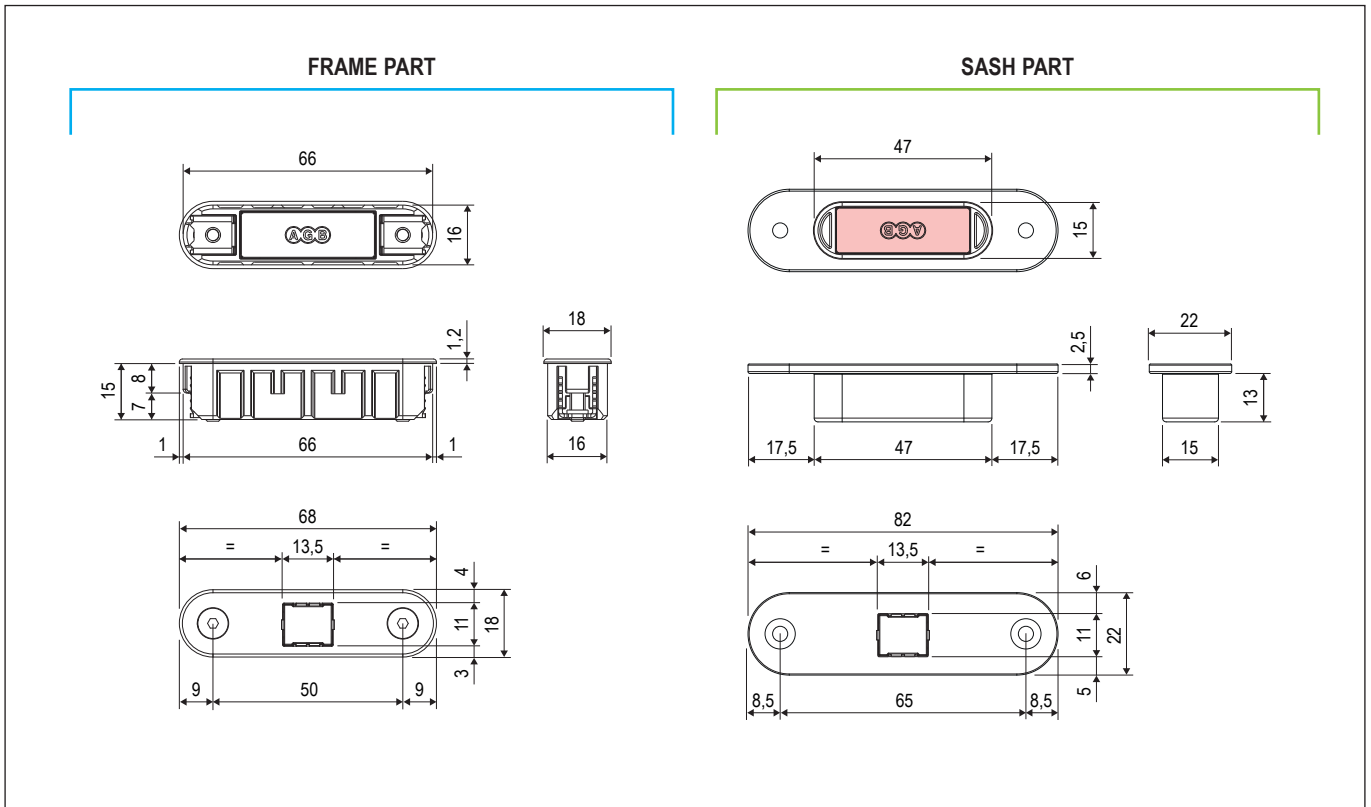
Kit with an Easy-Touch striker and an Alu-Touch striker in plastic material with round edges, one of them has a red cover to identify the reverse polarity.  
 Easy-Touch is completely interchangeable with Easy-Matic and Easy-Fix strikers with 22 mm width and 2,2, mm thickness and Alu-Touch with Alutop XT.

**Use**

To be used with fixed magnets for wooden sashes with aluminium frames and they can be installed in this case, they can be installed in different positions and hidden. If necessary, they can be installed in more magnet couples.

**Fastening**

With screws 3,5x20 mm and 2,5 mm allen key.



**Order Specifications**

Article
B02404.35.XX

**Note.** Refer to the price list in force to check the availability of the finishes.